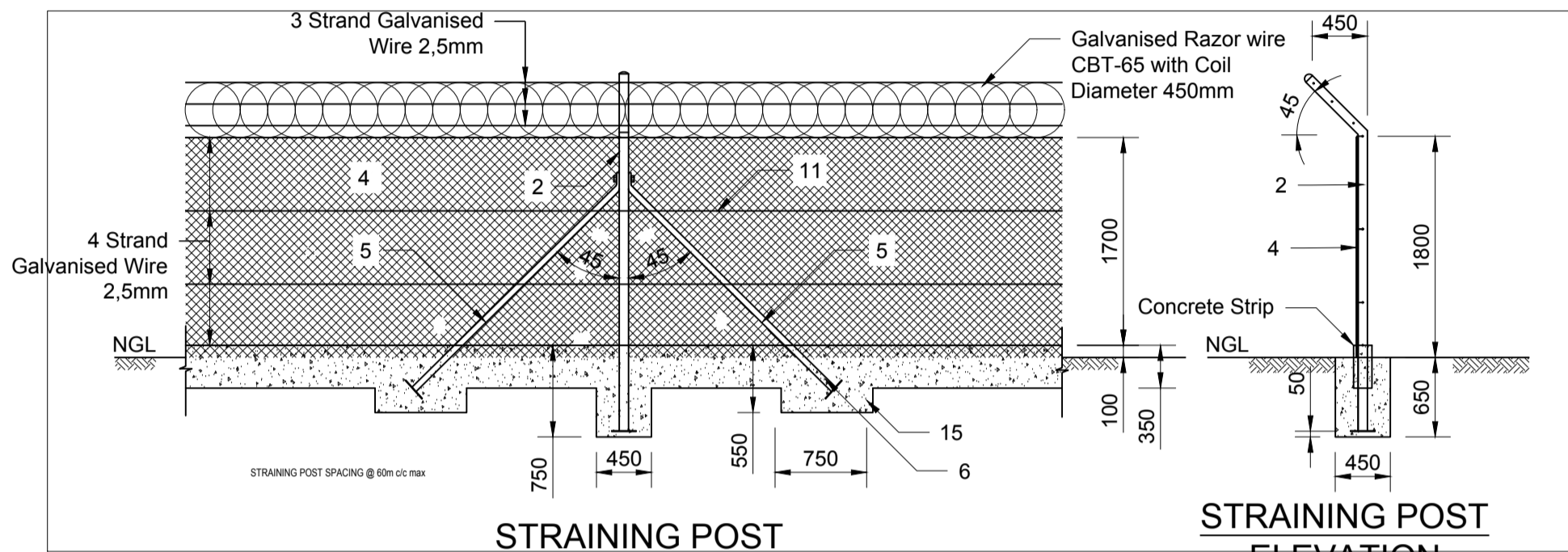


TYPICAL MOTOR GATE

SCALE 1:50

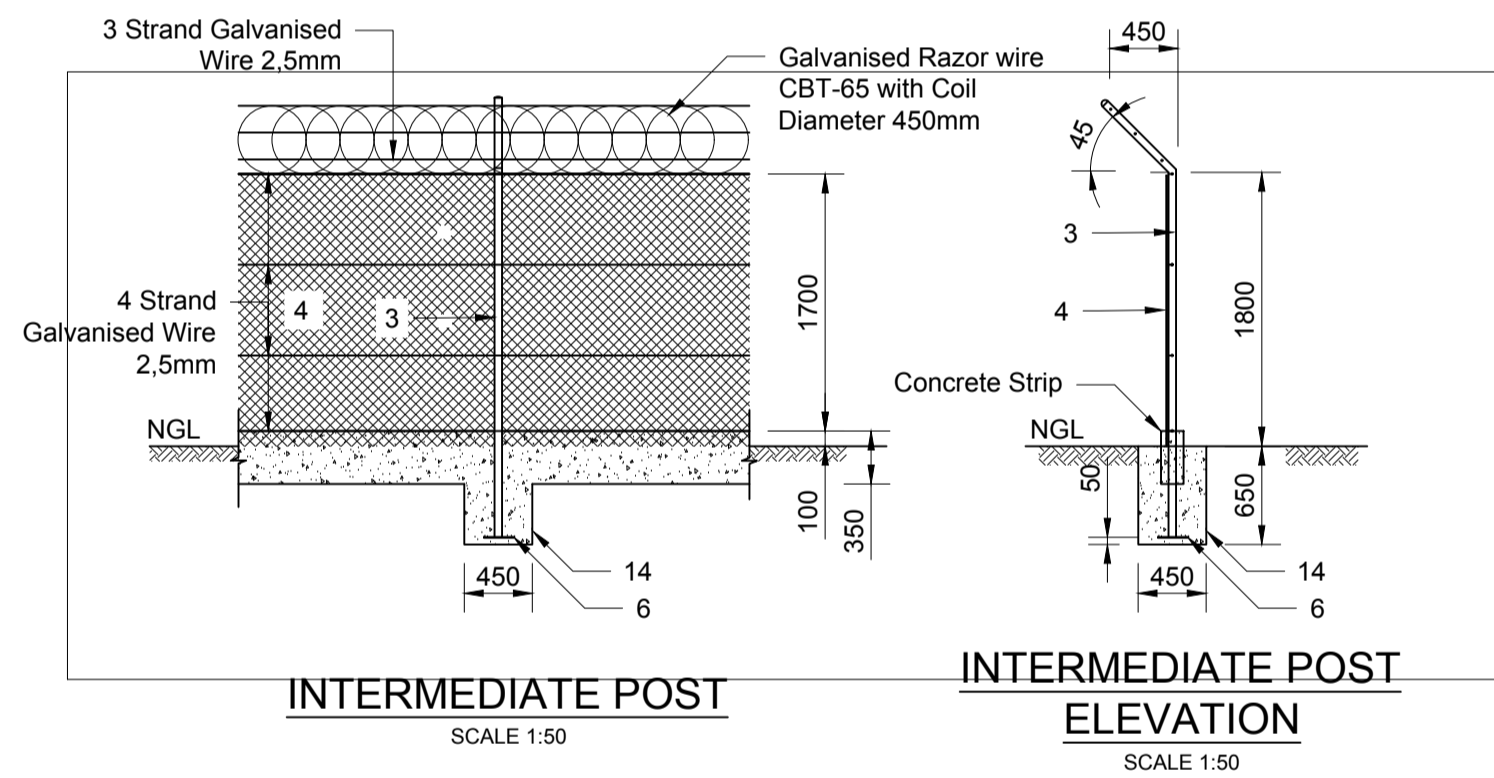


STRAINING POST

SCALE 1:50

STRAINING POST ELEVATION

SCALE 1:50

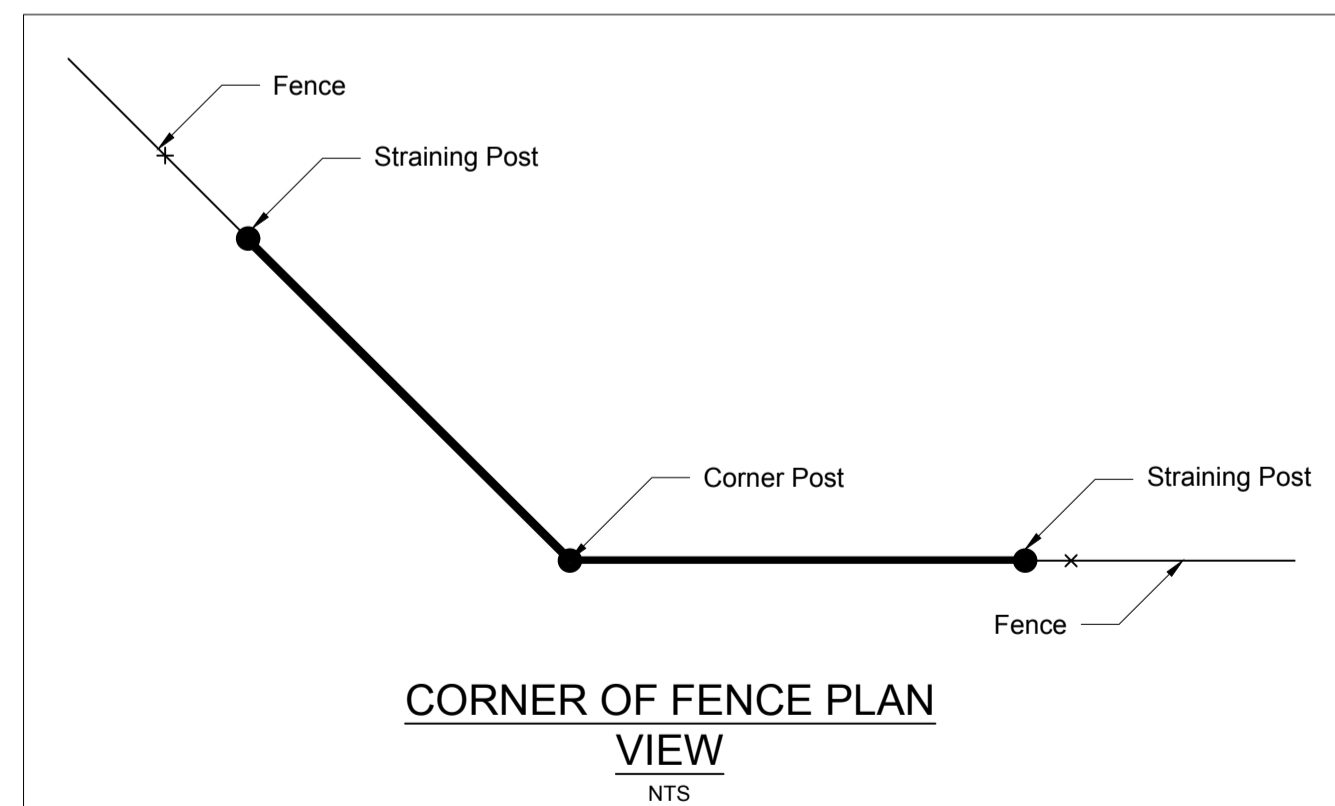


INTERMEDIATE POST

SCALE 1:50

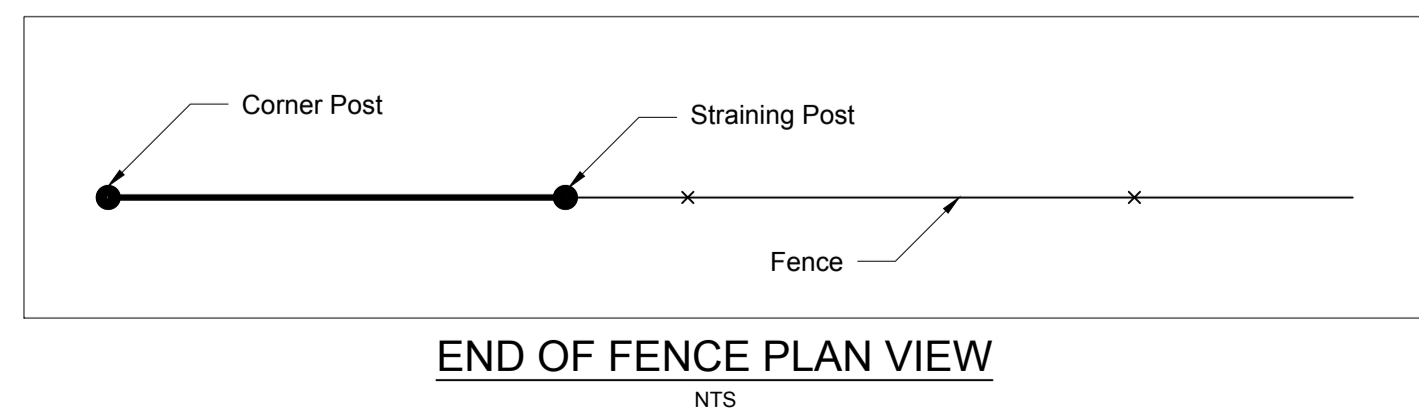
INTERMEDIATE POST ELEVATION

SCALE 1:50



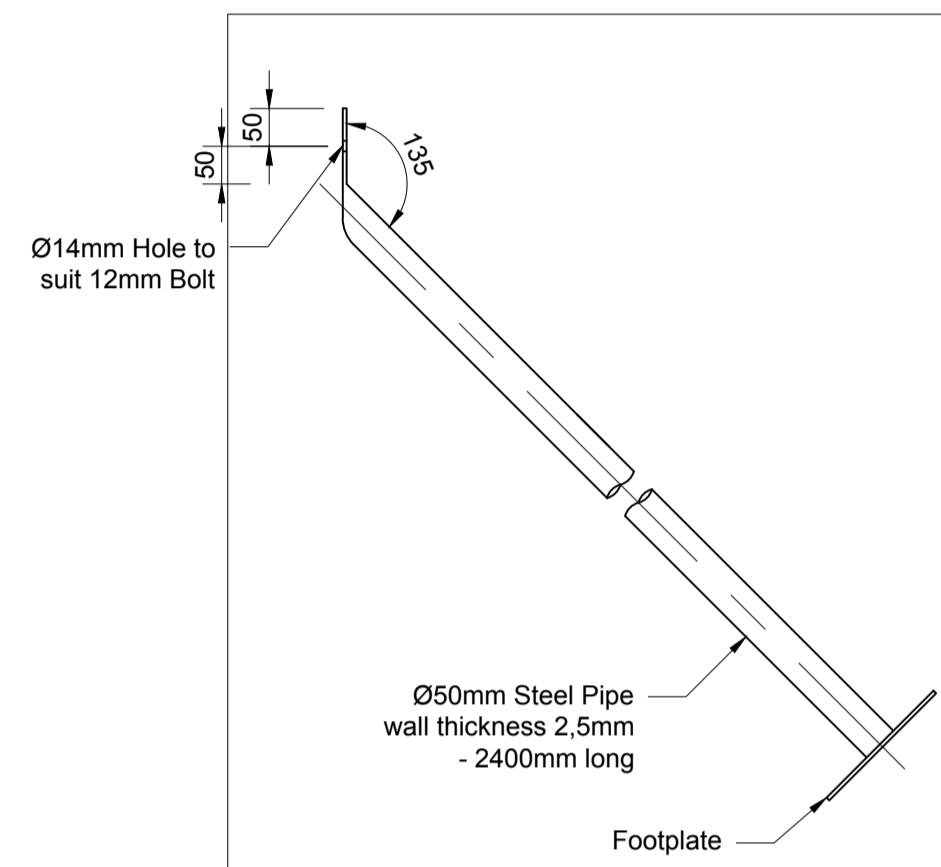
CORNER OF FENCE PLAN VIEW

NTS



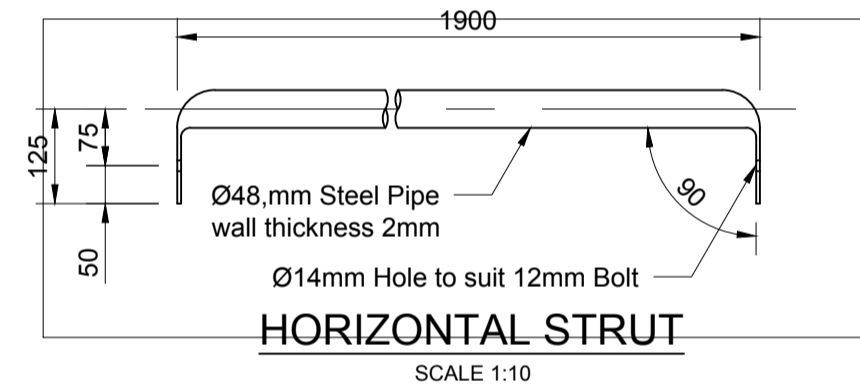
END OF FENCE PLAN VIEW

NTS



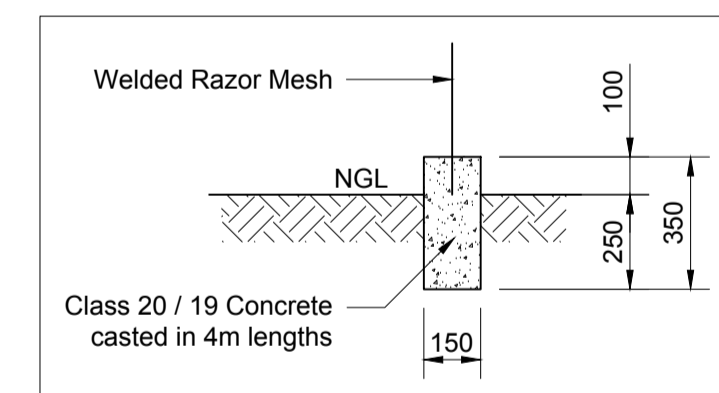
DIAGONAL STAY

SCALE 1:10



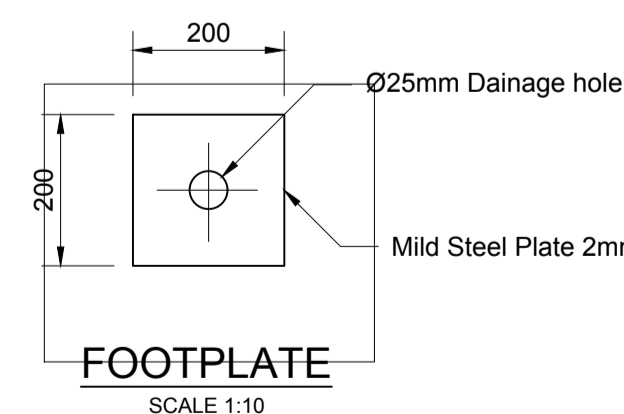
HORIZONTAL STRUT

SCALE 1:10



CONCRETE STRIP UNDERNEATH FENCING

SCALE 1:20



FOOTPLATE

SCALE 1:10

NOTES

- Contractor to confirm all setting out dimensions prior commencing any work on site.
- Earthworks construction shall be in accordance with SANS10120-D.
- Structural concrete shall be in accordance with specification SANS0100-2-1992. The structural use of concrete Part II: Materials and execution of work, and specification SANS10120-G-1992 Concrete (Structural).
- Structural concrete - Degree of accuracy II shall apply.
- Concrete strength shall be 30MPa/19mm.
- Blinding to be 10MPa. Required under all bases and Strip Footings.
- Mass concrete to be 10MPa/19mm.
- All visible concrete corners to be rounded with a 10mm edging tool.

FENCE ITEM LIST:

- Corner and Gate Posts: 2400mm long with 450mm overhang Ø95mm steel pipe with 2mm wall thickness and pressed steel cap planted vertically to a minimum depth of 600mm below ground level.
- Straining Posts: 2400mm long with 450mm overhang Ø76,2mm steel pipe with 2mm wall thickness and pressed steel cap.
- Intermediate Posts: 2400mm long with 450mm overhang Ø48,5mm steel pipe with 2mm wall thickness and pressed steel cap.
- Welded Razor Mesh: Core Wire - 2.5mm high tensile galvanized wire, Razor Strip (sheet) 0.5mm Galvanized sheet strip razor, Diamond Razor Mesh Size - 75x150mm attace on the outside.
- Stays: Ø50mm steel pipe with 2,5mm wall thickness and drilled on one end as per detail.
- Footplates: 120x120x2mm mild steel plate welded to posts.
- Gate Frame: Ø48,5mm steel pipe with 2mm wall thickness.
- Gate Bracing: Ø34,13mm steel pipe with 2mm wall thickness.
- Horizontal Struts: Ø48,5mm steel pipe with 2mm wall thickness flattened and drilled both sides.
- Horizontal fencing wires to standard using 1,6mm tying wire.
- Horizontal fencing wire to be securely wrapped twice around straining posts and secured against slipping by tying the ends tightly by means of six snug-tight twists.
- Short lengths of horizontal fencing wires to be securely wrapped twice around posts to extend between corner, gate or fence posts and the relevant straining posts. These wires must be installed and tightened before straining of the fence line commences.
- Concrete block of 300x300x300 for barrelbolt in Class 20 / 19 concrete.
- Concrete footing for postes 450x450x650mm in Class 20 / 19 concrete.
- Concrete footing for stays 450x450x750mm in Class 20 / 19 concrete.
- Smooth Wire shall comply with the requirements of SANS 675 and shall be the type pecified below:
 - Straining wire shall be Ø2,5mm zinc-coated high tensile grade steel wire.
 - Fencing wire shall be Ø2,24mm zinc-coated wire.
 - Tying wire shall be Ø2,5mm zinc-coated wire.
 - Wire Ø1,6mm mild steel zinc-coated wire for tying netting and mesh wire to the fenching wire.

NOTES

REVISIONS

REV	DESCRIPTION	DATE	INT

CLIENT

KUNENE REGIONAL COUNCIL

PROJECT

CONSTRUCTION OF NEW OXIDATION PONDS

DRAWING

SECURITY FENCE DETAILS

Unit Number 2, Math Office Building
 Co-Operative Buildings Area 8, 1st corner Road
 Windhoek - Namibia
 PO Box 10552 - Windhoek - Namibia
 Tel: +264 (0) 61 242 335
 Fax: +264 (0) 61 242 335
 e-mail: ingplan@ingplan.na

COPYRIGHT ©
 COPYRIGHT IS VESTED IN THIS DRAWING AND NO USE, REPRODUCTION OR DUPLICATION
 HEREOF MAY OCCUR WITHOUT THE WRITTEN CONSENT OF INGPLAN

DATE ISSUED:	20-10-2020
PRELIMINARY	TENDER
APPROVAL	CONSTRUCTION
COORDINATION	AS BUILT
DESIGNED: ID 01/20	CHECKED: TS 09/20
DRAWN: ID 09/20	APPROVED: ID 10/20
SIGNATURE:	REGISTRATION:

100mm on original drawing - A1

SCALE
AS SHOWN (A1)

PROJECT No. 18W131	PROJ. DATE 04/20
DRAWING No. 18W131-OX-C01	REVISION 0